

Client:

1988 CHRYSLER  
CONQUEST

Architects:

Consultants:

SYSTEM ENGINEERING/INTEGRATION BY:

**BAM**  
CONCEPTS

THIS DRAWING IS THE PROPERTY OF  
ICIA ACADEMY AND MAY  
NOT BE REPRODUCED OR DISTRIBUTED  
WITHOUT WRITTEN AUTHORIZATION.

REV: DATE: DESCRIPTION:

REV:	DATE:	DESCRIPTION:

CAD FILE: 2003SK1

SALES: BAM

ENG. BY: BAM

DWG. BY: BAM

DATE: 12/27/02

SCALE: N/A

JOB #: 2000

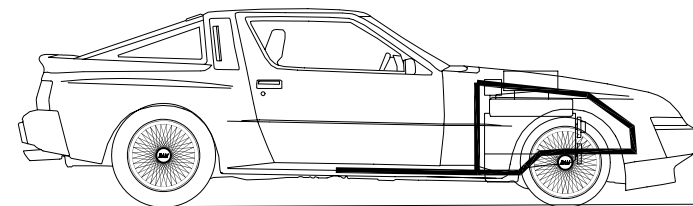
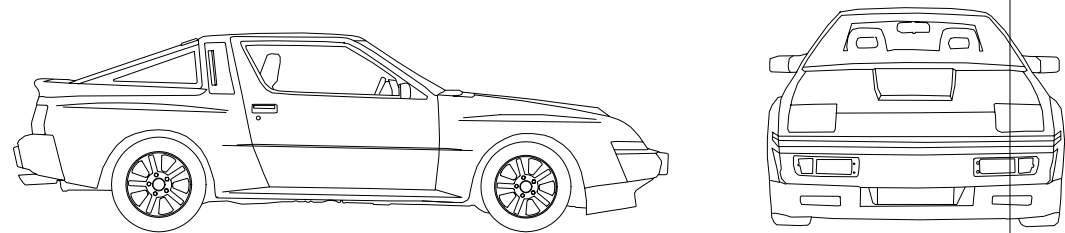
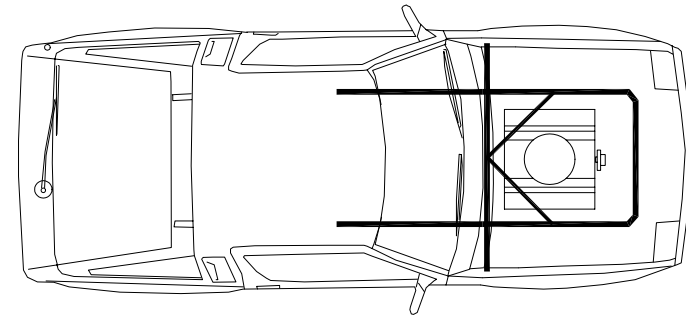
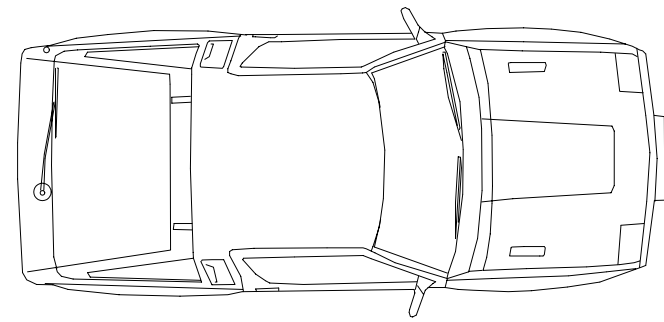
TITLE:

'88 CONQUEST

INITIAL RENDERINGS

DWG NO.:

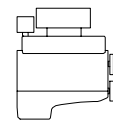
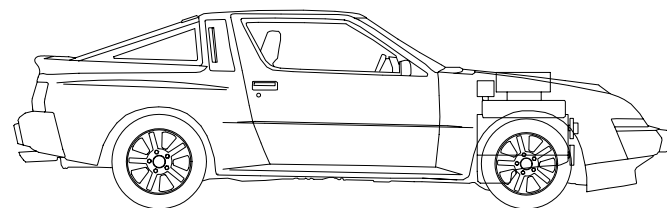
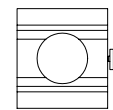
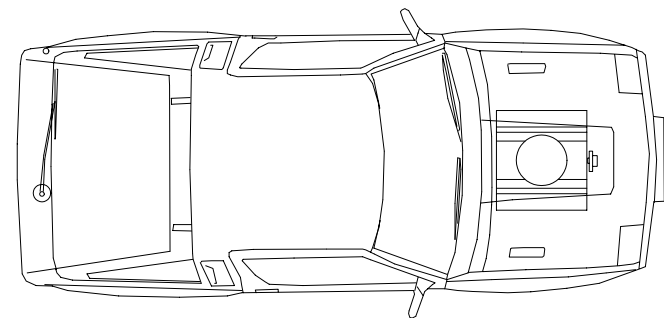
SK-01



ORIGINAL SKETCH (FROM PICTORIAL)

9" ENGINE BAY STRETCH

(FRONT, REMOVE)



STOCK VEHICLE WITH SBC PLACED